



CH126

DOUBLE TUBES SCENT DIFFUSER

COVERAGE

OILS CAPACITY

COSTING



Big Coverage 10000 Cubic Meters



With Program Security lock



Programmable Working Time 24H/7 days



Manual Control/ Wi-Fi Control

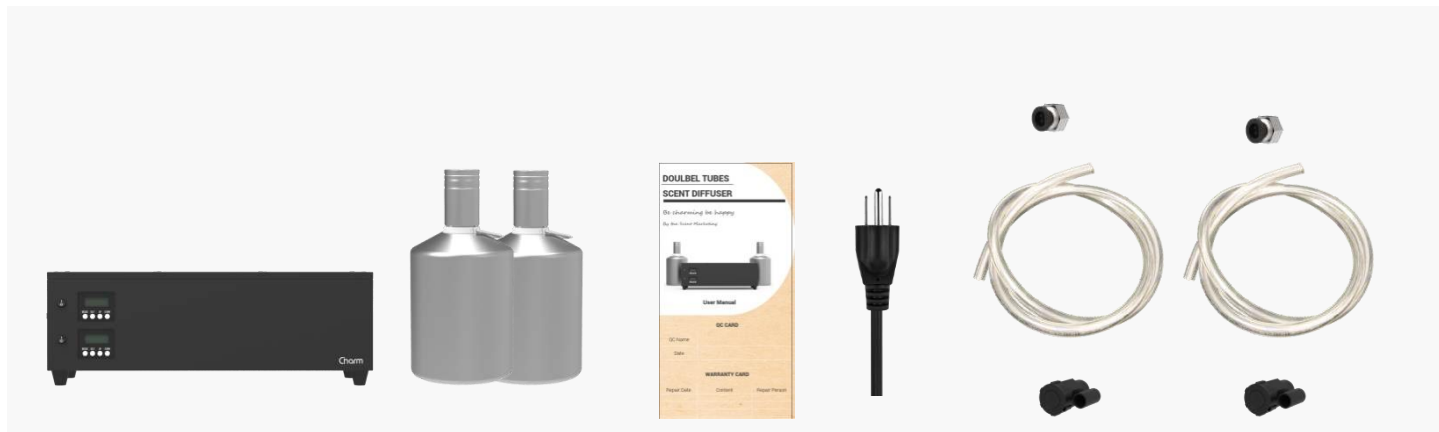


19 Intensity Setting Options



Split Type

Accessory



Charm Aroma
Diffuser

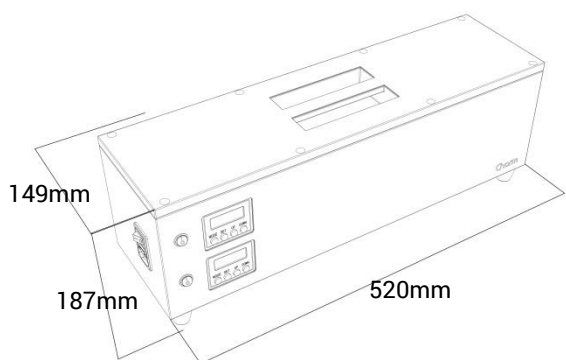
1000ml / 6000ml
Empty Oil Bottle*2
pieces

User
Manual

AC Power
Adapter

Connectors+ Air Tubes+ Spare
nozzles

Specifications



Model No.	CH126
Shell Material	Metal with Powder Coated Finishing
Color	Black
Dimension	187H X149D X 520 L mm
Net Weight	9.2 kg
Standard Packing	2 Pieces / Master Carton
Power Supply	AC110-220V / 50W
Coverage	10000 m3 ; 3200 m ² ; 32000 ft ²
Installation Way	Connect to HVAC System
Essential Oil Bottle Capacity	6L*2 Pieces/or 1L
Essential Oil Consumption	0.35ml ~ 13.3 ml /H±5%
Noise Level	< 50dba

Applications



4S Shop



Bar



Shopping Mall



Hotel



KTV



Bank



Store



Restaurant



Airport



Salon